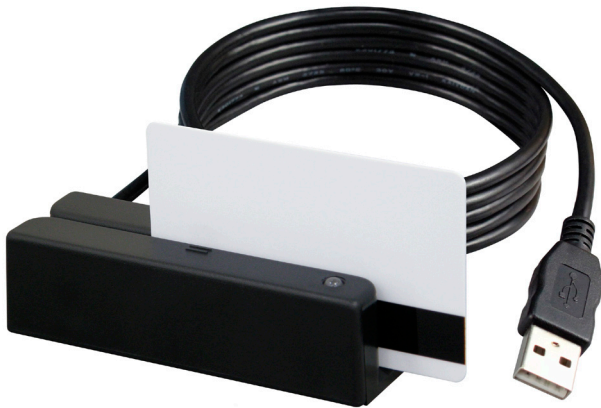


MSR213 Series

USB Magnetic Stripe Card Reader



- Read and convert magnetic stripe data to USB (Virtual COM) or USB HID/USB keyboard interface.
- Firmware downloadable
- Read magnetic stripe cards conform to ISO 7811, AAMVA and custom data format
- Manual swipe, bi-directional with USB interface output.
- Read high and low coercivity magnetic stripes (300- 4000 Oe)
- 15KV air ESD protection
- Reliable for over 1M swipes life
- LED and beeper for reading status

USB HID or USB Keyboard Emulation Interface

MSR213U communicates with a host computer using USB interface. The reader can read magnetic data from available track encoded per ISO 7810/7811, AAMVA and DMV.

USB Virtual COM interface

MSR213V, is designed communicates with a host computer or other terminal using a standard USB (Virtual COM) interface.

Part Number Description

MSR213U-12 Dual track 1 & 2

MSR213U-23 Dual track 2 & 3

MSR213U-33 Triple track 1, 2 & 3

MSR213V-12 Dual track 1 & 2

MSR213V-23 Dual track 2 & 3

MSR213V-33 Triple track 1, 2 & 3



SPECIFICATIONS

ELECTRICAL

Power Requirement	+5VDC +-10% from USB Port
Power Consumption	35mA Max. in normal condition.
Interface	
MSR-213U	USB HID or USB keyboard emulation interface
MSR-213V	USB Interface (virtual, RS232)

MECHANICAL

Body Material	ABS 94V-0
Dimensions	3.94"(100 mm) L x 1.34"(34 mm) W x 1.10"(28 mm) H
Weight	Approx. 4.2 ounces (120 g)
Connector	USB Type A Plug
Card Handling Method	Manual swipe, bi-directional

ENVIRONMENTAL

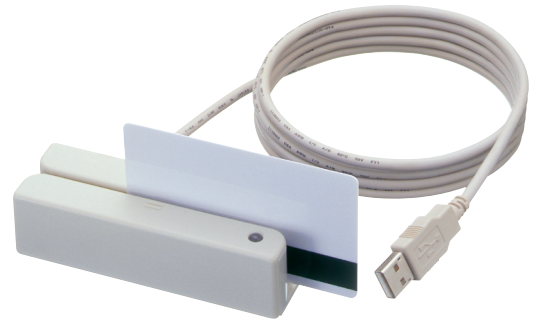
Operation Temperature	14°F to 122°F (-10°C to +50°C)
Storage Temperature	-22°F to 158°F (-30°C to +70°C)
Operation Humidity	10% to 90%
Storage Humidity	10% to 90%

AGENCY APPROVAL FCC Class B, CE Class B, European RoHS

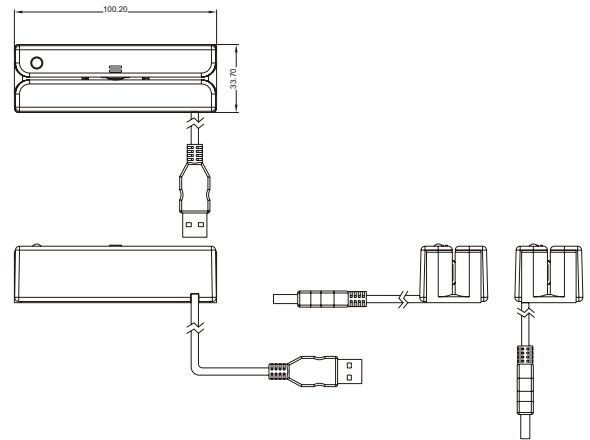
PERFORMANCE

Read Card Format	Track 1	Track 2	Track 3
Bit Density	210 bpi	75 bpi	210 bpi
Card Types	Magnetic cards as per ISO7810, 7811, AAMVA		
Read Capability	Magnetic stripe - dual or triple track of low/high coercivity (300~4000 Oe)		
Test Card Types	Standard Card	Jitter ±15%	Amp.60%
Read Speed	5~55 ips	5~50 ips	5~50 ips
Card Thickness	0.76 ±0.08mm		
Error rate	<0.5%		
Magnetic Head Life	1 M Swipe		

Specifications are subject to change.



Dimensions



Trusted Name

UIC is a leading manufacturer of payment devices and transaction solutions. Known in the industry for reliability and dependability, UIC products offer high value and quality at a reasonable price.

UIC Solutions

With a commitment to technological development initiatives, UIC consistently creates innovative award-winning products that ensure data transactions are simple, secure and transparent to the customer. The product portfolio includes PIN pads, check readers, contactless readers, magnetic stripe readers, insert hybrid card readers and F2F decoder chips.

UIC Applications

UIC products are deployed worldwide in a variety of environments including retail, financial, vending, parking, gaming/gambling, airlines and tradeshows. Also, UIC's quality components are utilized in payment terminals, POS keyboards and KIOSKS.

About UIC

Uniform Industrial Corporation (UIC) has been a leader in Electronic Commerce / Data Collection components and systems for Banking, Retail, Access Control, Lead Capture and Auto-ID solutions since its inception in 1983. UIC designs, develops and manufactures easy-to-use products that combine affordability and reliability with high quality and performance.

UIC Headquarters

1FL, No. 1, Lane 15, Chih Chiang St.
 Tu Cheng City, Taipei Hsien • Taiwan, R.O.C.
 Tel: +886-2-2268-7075 • Fax: +886-2-2269-5686
 Email: info@uniform.com.tw • www.uicworld.com

UIC USA

47436 Fremont Blvd. • Fremont, CA 94538-6512 • USA
 Tel: +1-510-438-6799 • Fax: +1-510-438-6790
 Email: info@uicusa.com • www.uicusa.com